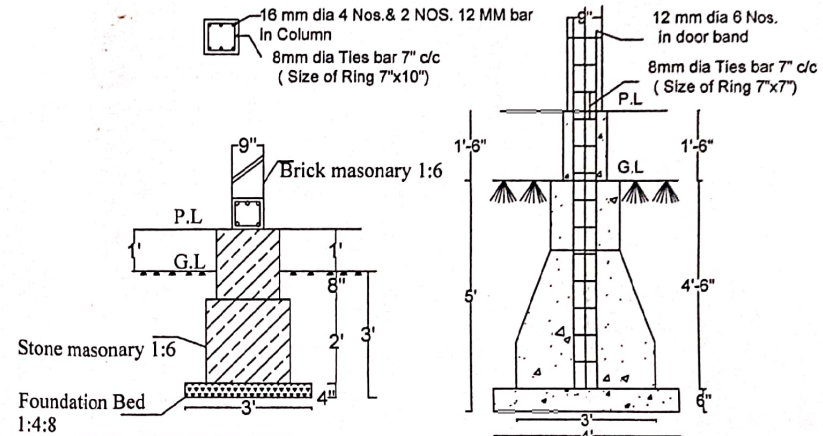
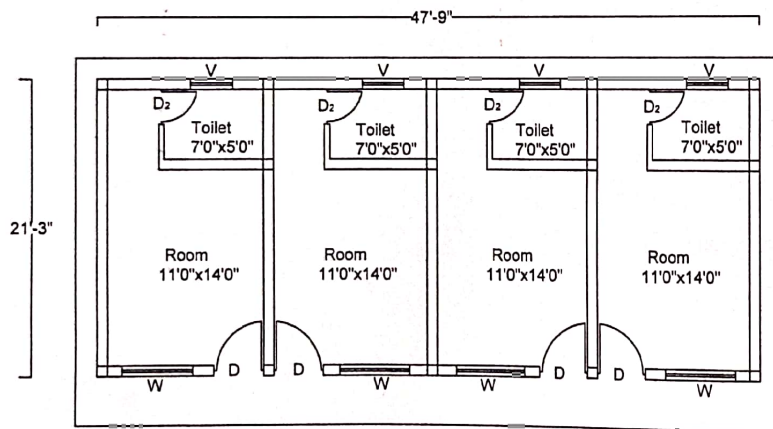


FRONT ELEVATION



DETAIL OF FOUNDATION  
SCALE-1:50

Details of Rcc column



GROUND FLOOR PLAN

"HOME STAY YOJNA" ( UNDER THE GOVT SCHEME DEENDAYAL UPADHYA GRIHA AWAS ) OF  
SH. RAMMOHAN SINGH RAWAT S/O AMAR SIGH RAWAT AT GARAM PANI GANESHPUR  
TH. BHATWADI, DISTT- UTTARKASHI

AREA INDEX	INDEX	
(KHATA NO.00130/ KHASRA NO.981/ 180 SQM. )		
1- TOTAL PLOT AREA = 180.00 Sqm.	1- DOOR D/P - 3'-6"X7'-0" FIT.	SCALE - 1:100
2- TOTAL COVERED AREA OF G.F = 1014.69 SQF. / 94.30 SQM.	2- DOOR D1 - 3'-0"X7'-0" "	
	3- " D2 - 2'-6"X7'-0" "	
TOTAL COVERED AREA OF G. Floor = 94.30 SQM.	4- WINDOW W - 5'-0"X4'-0" "	
	5- " W1 - 3'-0"X4'-0" "	
	6- " W2 - 3'-0"X3'-0" "	
NOTE :- 1. HEIGHT OF ROOM - G.F- 10'0",	7- " W3 - 1'-6"X5'-0" "	
2. SIZE OF COLUMN 1'-0"X0'-9" / TH. OF WALL 9"	8- VENT. V - 3'-0"X1'-6" "	

DRAWN BY-

( B.TECH. CIVIL ENGINEER )  
POKHRIYAL DESIGN UNIT & ENGINEERS  
KAPOOR SHOPPING COMPLEX MAIN MARKET UTTARKASHI

SIGN. OF APPLICANT

*Prav*  
रानी रावत  
प्रधान, ग्राम पंचायत-नाल्ड  
बिन्डो-भटवाडी उत्तरकाशी

(P.S. Pokhriyal)  
B.Tech Civil Engineer  
Approved Building Designer/Valuer  
Lic. No. R.A. 0021563-97 YKI.  
Kapur Shopping Complex, Uttarkashi  
(M. 9112993997, 9030566742)